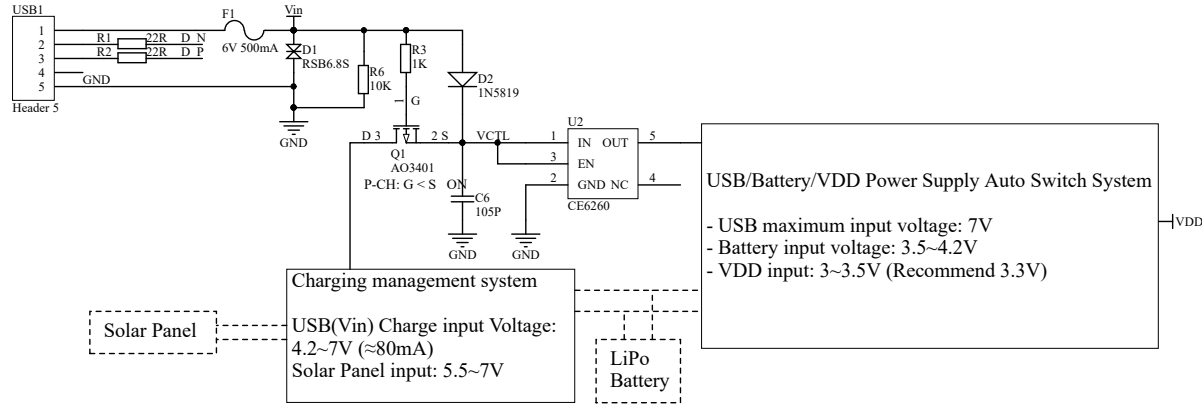
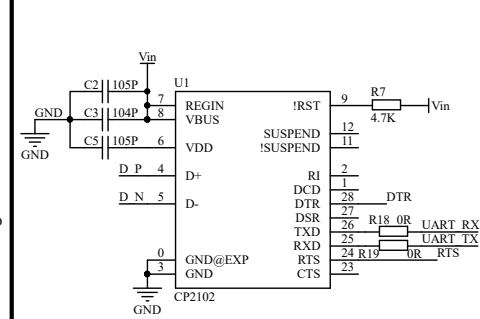


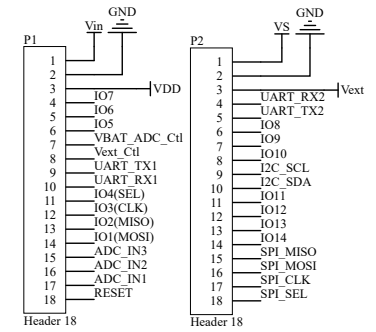
Power management system



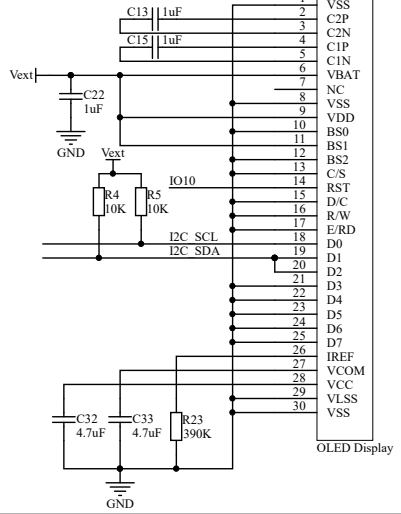
CP2102: USB to Serial port



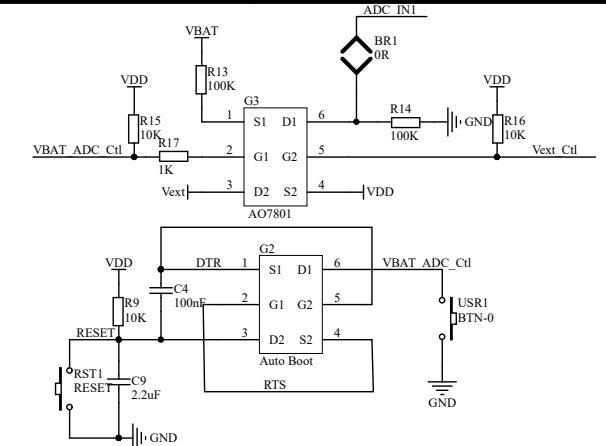
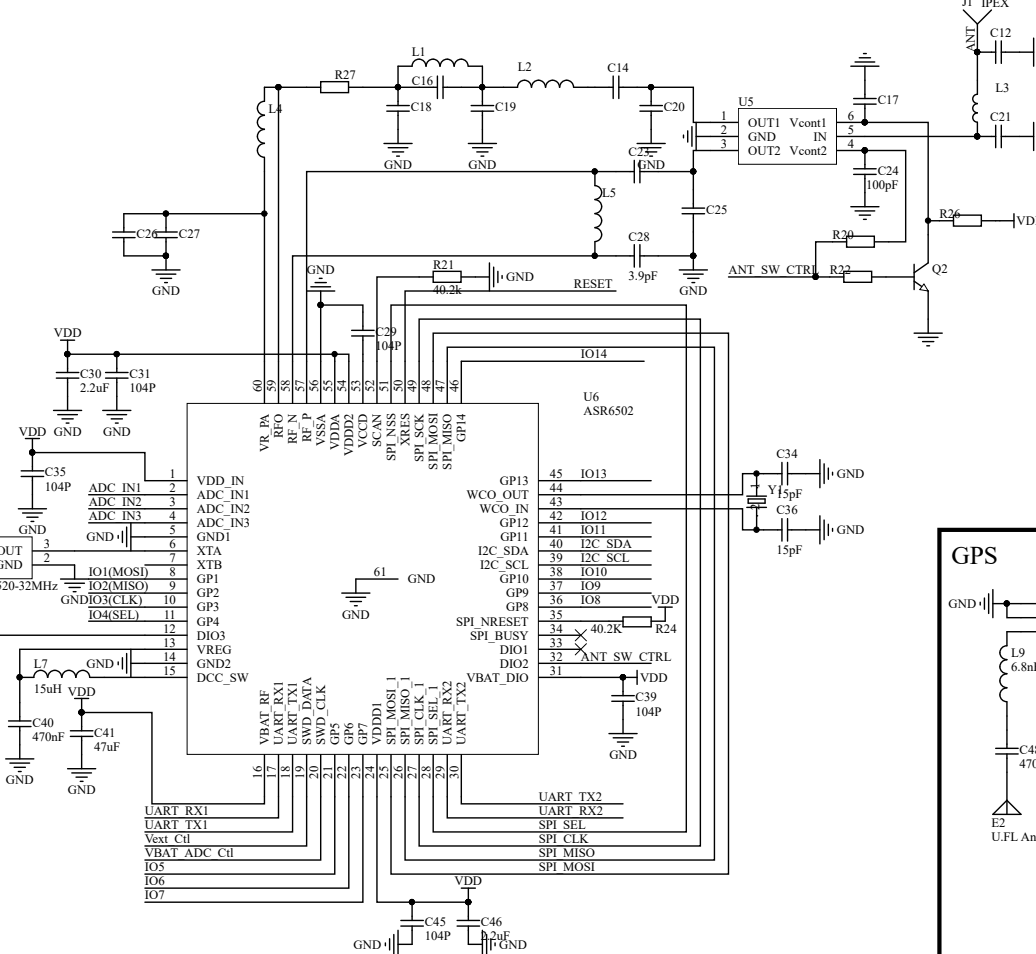
Header



OLED

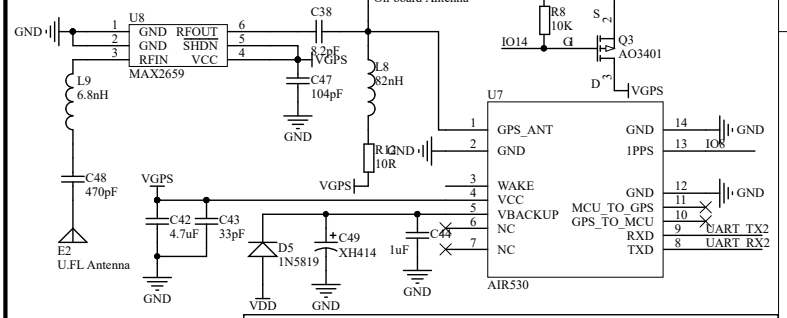


MCU & LoRa



DTR = 1; RTS = 0	System Hanging
RTS = 0 → 1	Run from user code in FLASH
DTR = 0 → RTS = 0 → RTS = 1 → DTR = 1	Access Boot Loader mode

GPS



CubeCell HTCC-AB02S Block Diagram

Heltec Automation
<https://heltec.org>
<https://heltec.org/project/htcc-ab02s>