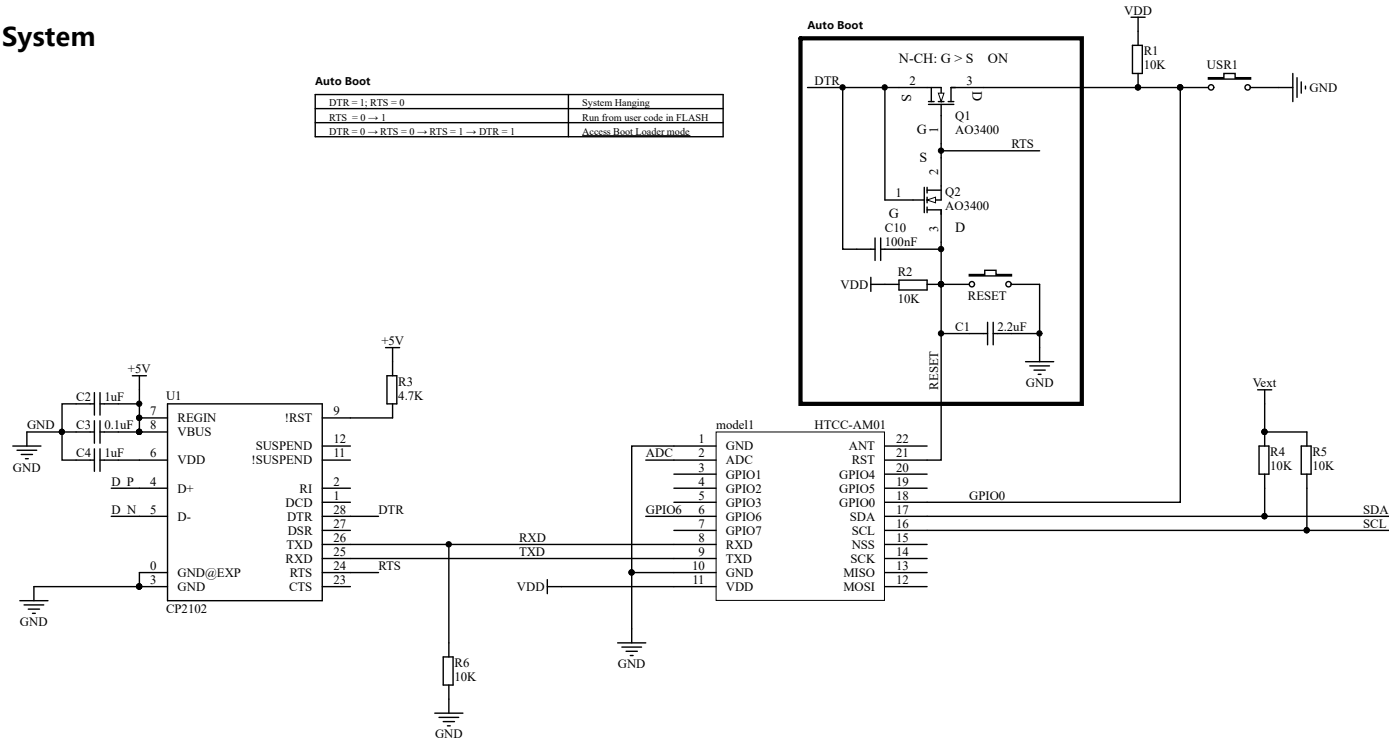


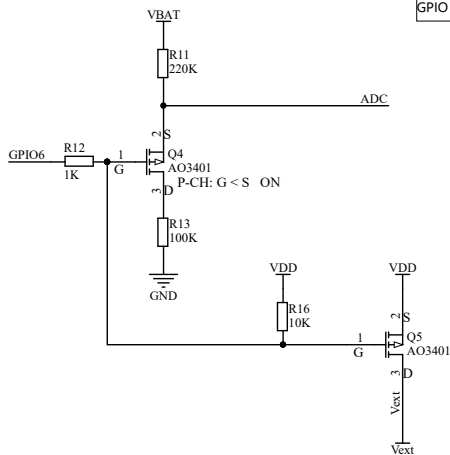
MCU & Auto Boot System

Auto Boot		System Hanging
DTR = 1, RTS = 0		System Hanging
RTS = 0 → 1		Run from user code in FLASH
DTR = 0 → RTS = 0 → RTS = 1 → DTR = 1		Access Boot Loader mode

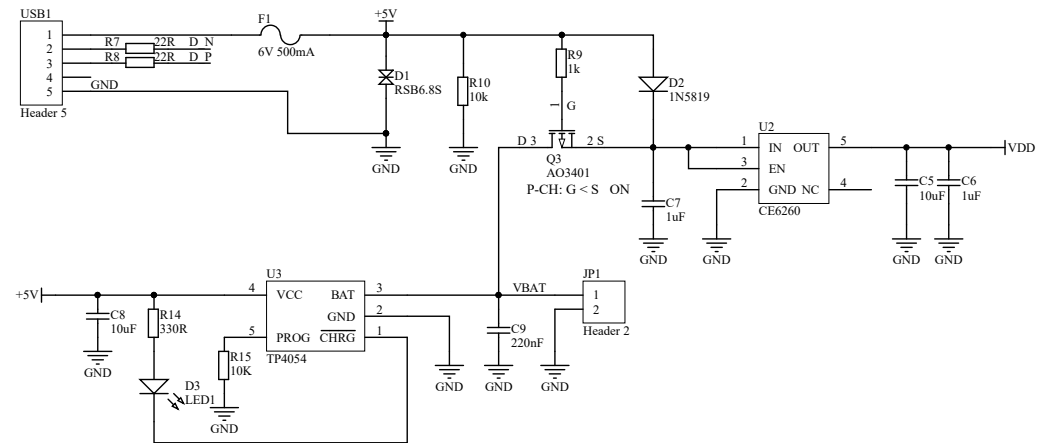


ADC Read & Vext Control

GPIO 6 = LOW:	$V(ADC) = R13 \cdot V(x) / (R11 + R13)$	Vext -- ON
GPIO 6 = HIGH:	$V(ADC) = V(x)$	Vext -- OFF



USB & Battery Management System



HTCC-AM01 Recommend hardware design

<https://heltec.org>

With Arduino-Compatible