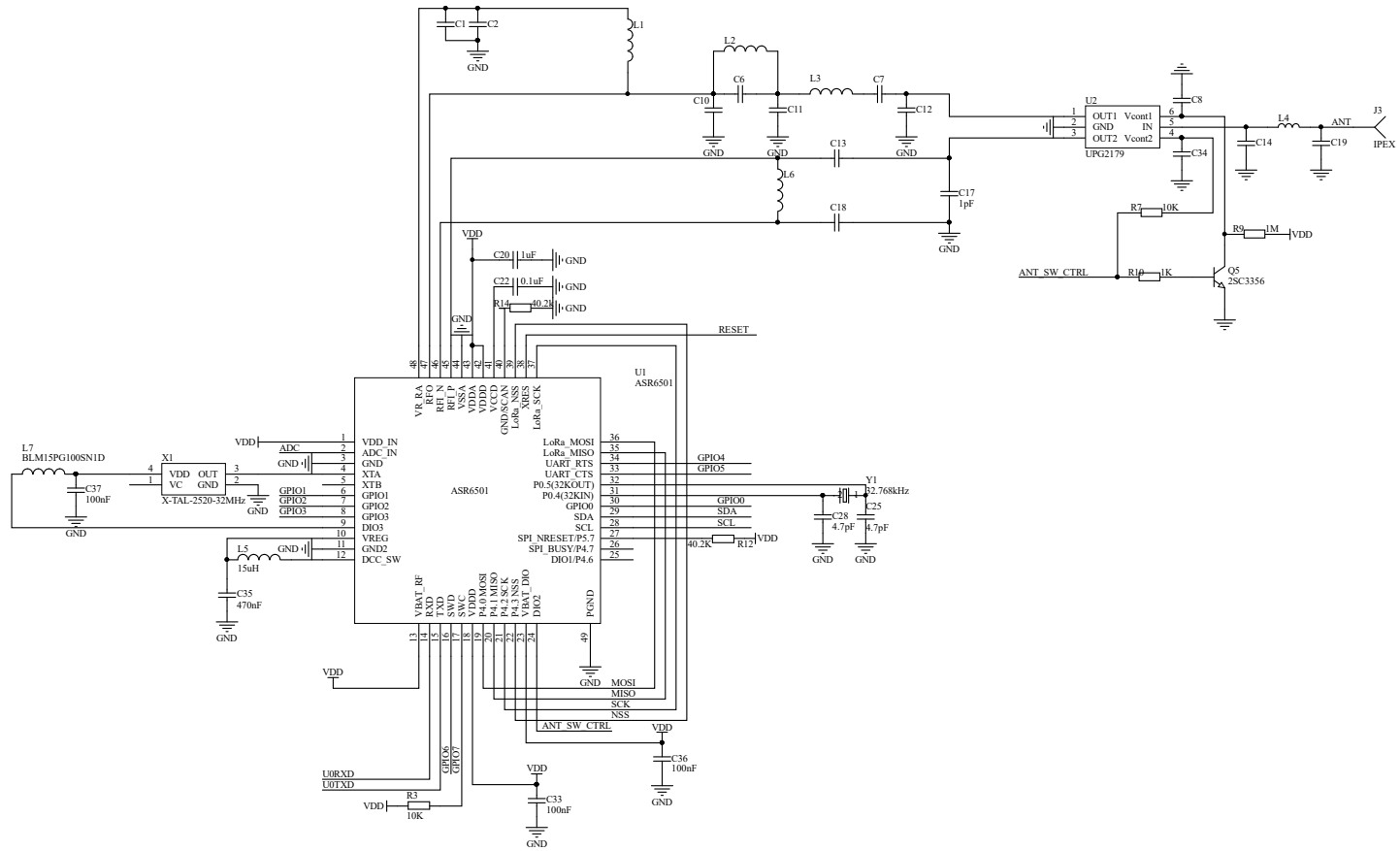


Cannot open file E:\DreamSpark\ASR-Node-duino\PCB\TruthTable.png



GND	ANT
ADC	RESET
GPIO1	GPIO4
GPIO2	GPIO5
GPIO3	GPIO0
GPIO6	SDA
GPIO7	SCL
U0RXD	NSS
U0TXD	SCK
GND	MISO
VDD	MOSI

Title		
Size	Number	Revision
A4		
Date:	2020/7/8	Sheet of
File:	C:\Users\LoRa\ASR_Module\SchDoc	Drawn By: