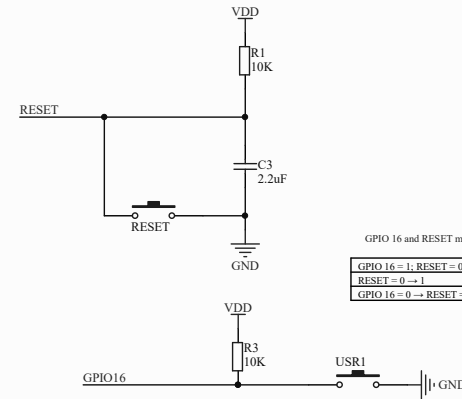


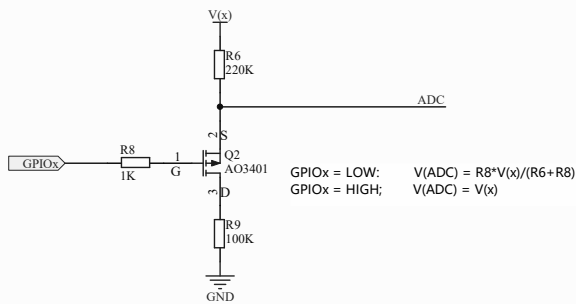
For low power consumption, we recommend I2C bus pullup to a controllable power source.



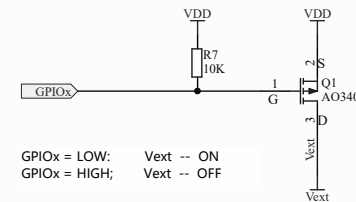
GPIO 16 and RESET must have a pull up resistance

GPIO 16 = 1; RESET = 0	System Hanging
RESET = 0 → 1	Run from user code in FLASH
GPIO 16 = 0 → RESET = 0 → RESET = 1 → GPIO 16 = 1	Access Boot Loader mode

Recommend ADC read circute:



Recommend Vext control circute:



HTCC-AM02 Recommend hardware design
<https://heltec.org> For AT command usage (No Arduino support)