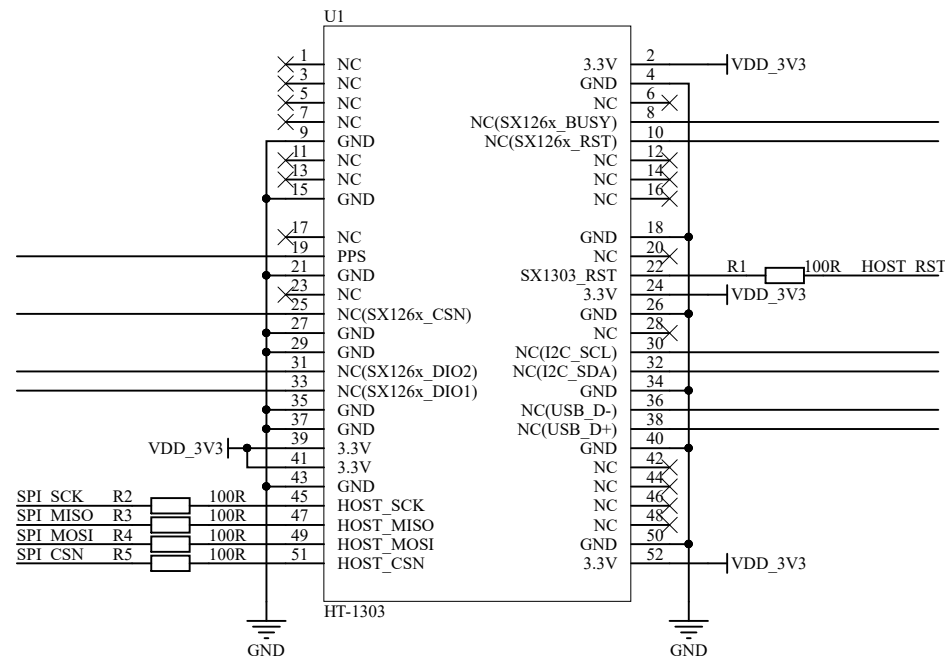


*VDD_3V3 power supply $\geq 500\text{mA}$

*Reference design is the default version(HT-1303-SPI) reference



HT-1303 Reference Design

<https://heltec.org>