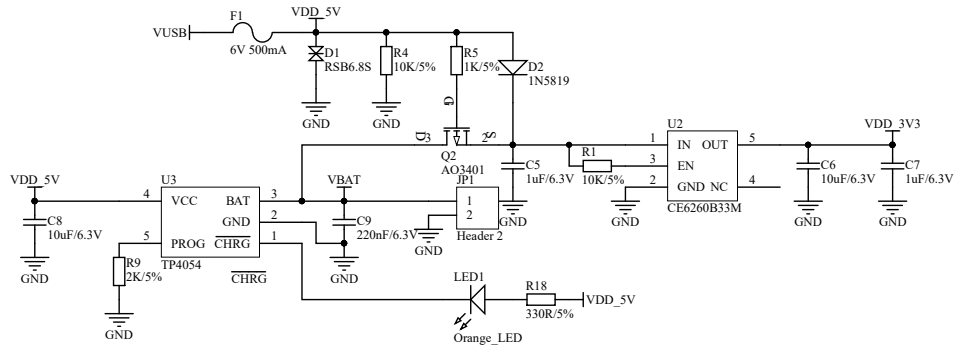
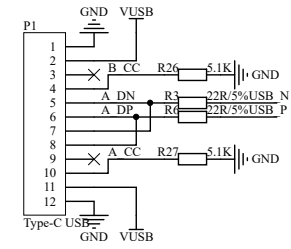


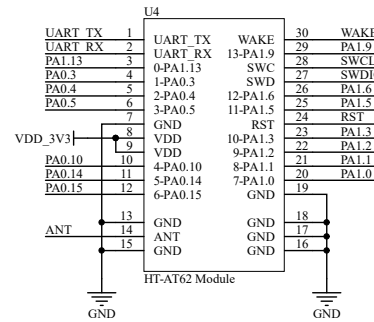
Power



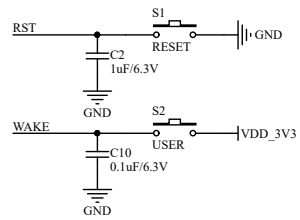
Type-C USB



MCU



Bottom



USB to Serial

