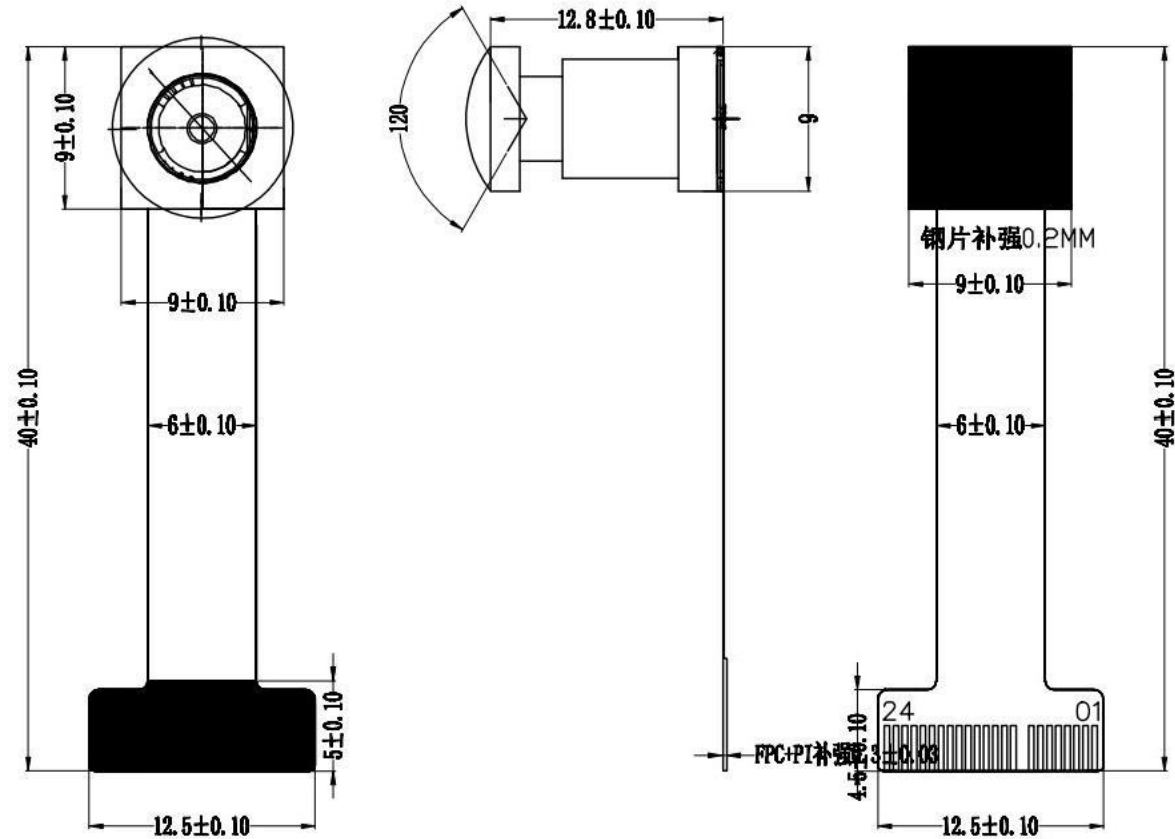


TOP VIEW

SIDE VIEW

BOTTOM VIEW

01	STROEB
02	AGND
03	SIO-D
04	AVDD2.8V
05	SIO-C
06	RESET
07	VSYNC
08	PWDN
09	HREF
10	DVDD1.2V
11	DOVDD3.3V
12	Y9
13	MCLK
14	Y8
15	DGND
16	Y7
17	PCLK
18	Y6
19	Y2
20	Y5
21	Y3
22	Y4
23	Y1
24	Y0



- Note:**
- The rounded corners should be smooth and not have edges and corners, broken.
 - FPC is soft and can be bent 180 degrees.
 - The unlabeled dimension tolerance is ± 0.1 mm.
 - The sample size tolerance was ± 0.2 .

Lens parameter	4P+IR	镜头类型(Lens Size)	1/4	IIC地址	修改记录		UNSPECIFIED TOL:
圆像传感器(Sensor)	OV2640	焦距(EFL)	1.57	闪光灯	修改内容	修改时间	
像素(Array Size)	200W	光圈(F/NO.)	2.4 \pm 5%	连接器	初始版本	2020-12-18	
数字电压(DVDD)	1.2V	解析力(Resolution)		驱动IC			.xxx \pm 0.005
模拟电压(AVDD)	2.8V	畸变(Distortion)	<1%	VCM工作电压			.xx \pm 0.05
IO电压(DOVDD)	3.3V	景深(Focusing Range)		VCM额定电流			.x \pm 0.1
							$\angle \pm 0.5^\circ$