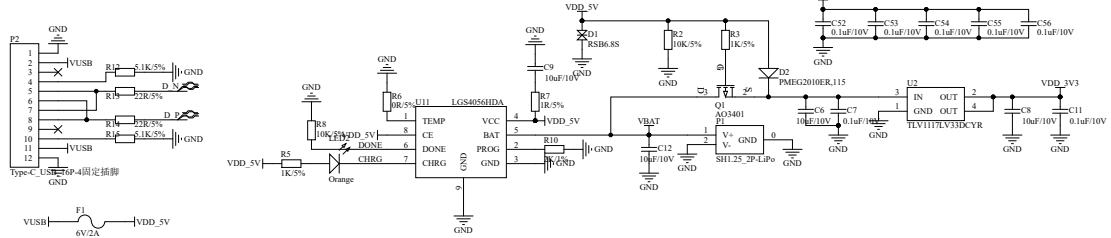
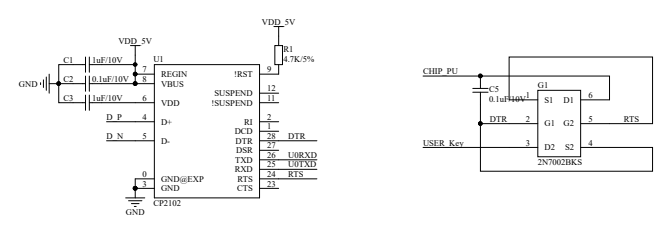


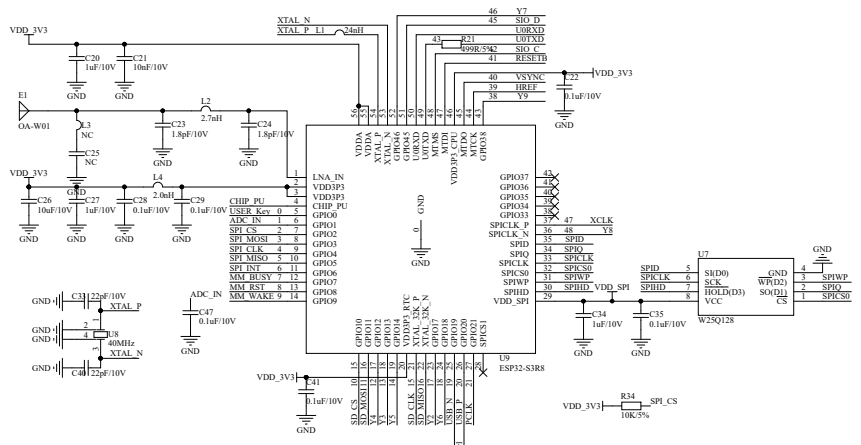
POWER



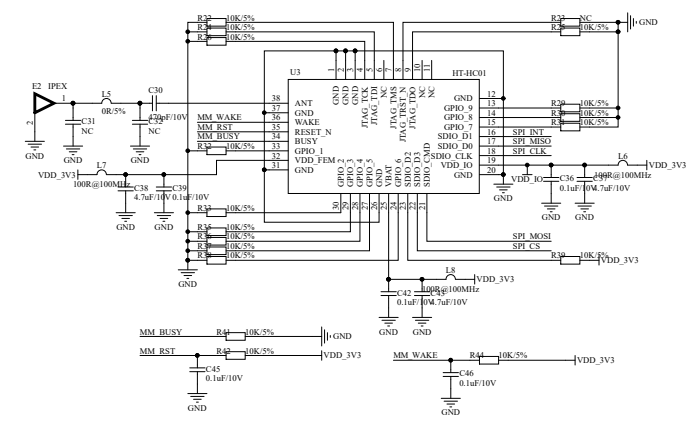
USB-UART



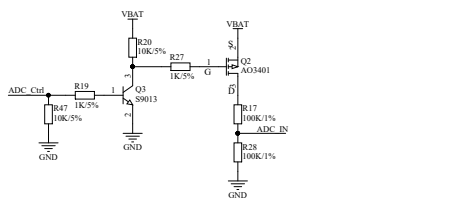
MCU



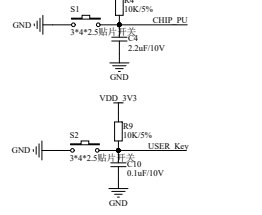
Wi-Fi HaLow



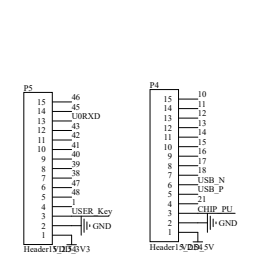
ADC



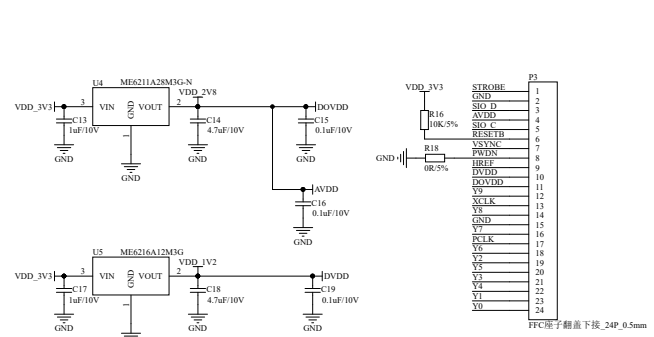
Button



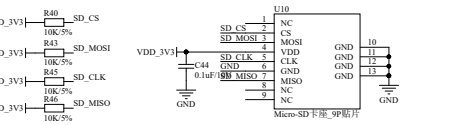
Header



Camera&POWER



Micro_SD



LED

