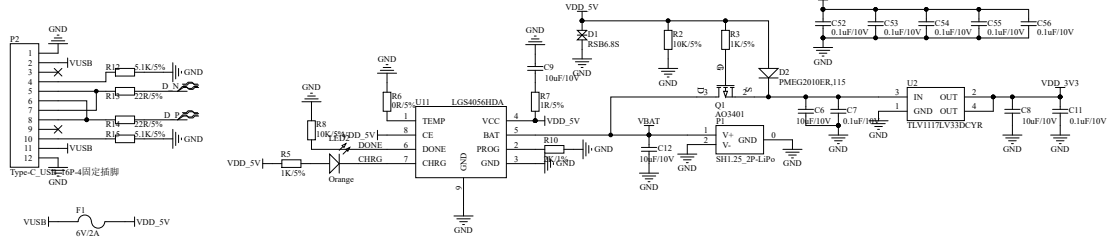
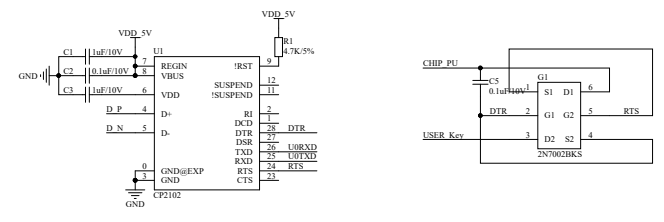


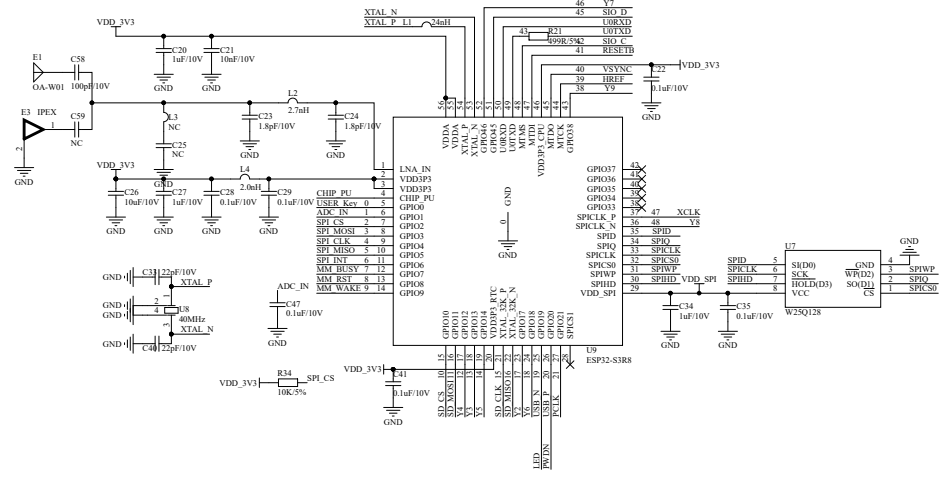
### POWER



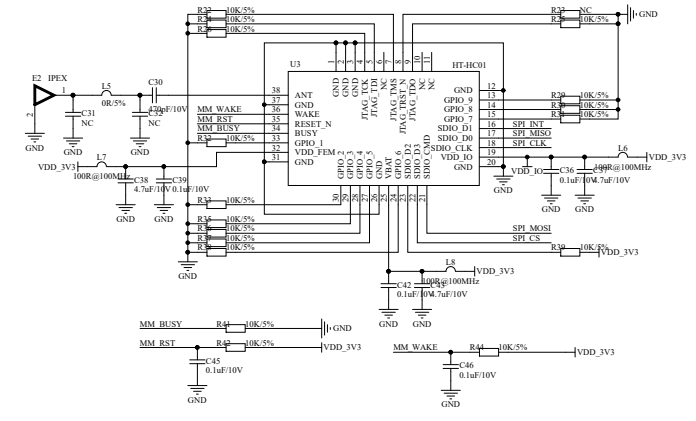
### USB-UART



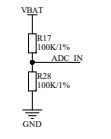
### MCU



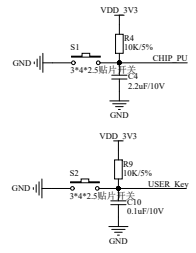
### Wi-Fi HaLow



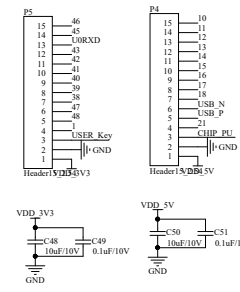
### ADC



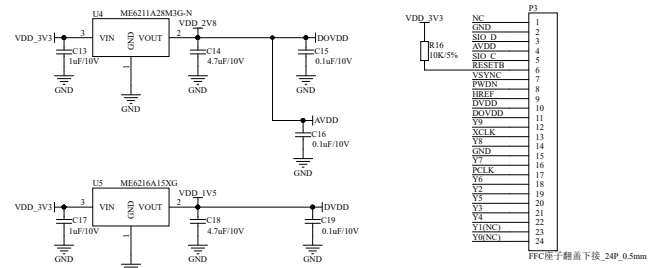
### Button



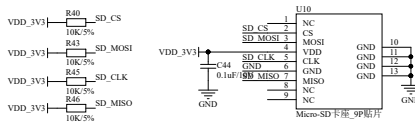
### Header



### Camer&POWER



### Micro\_SD



### LED

