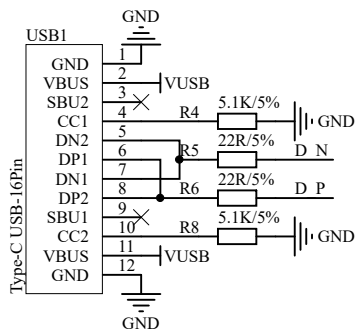
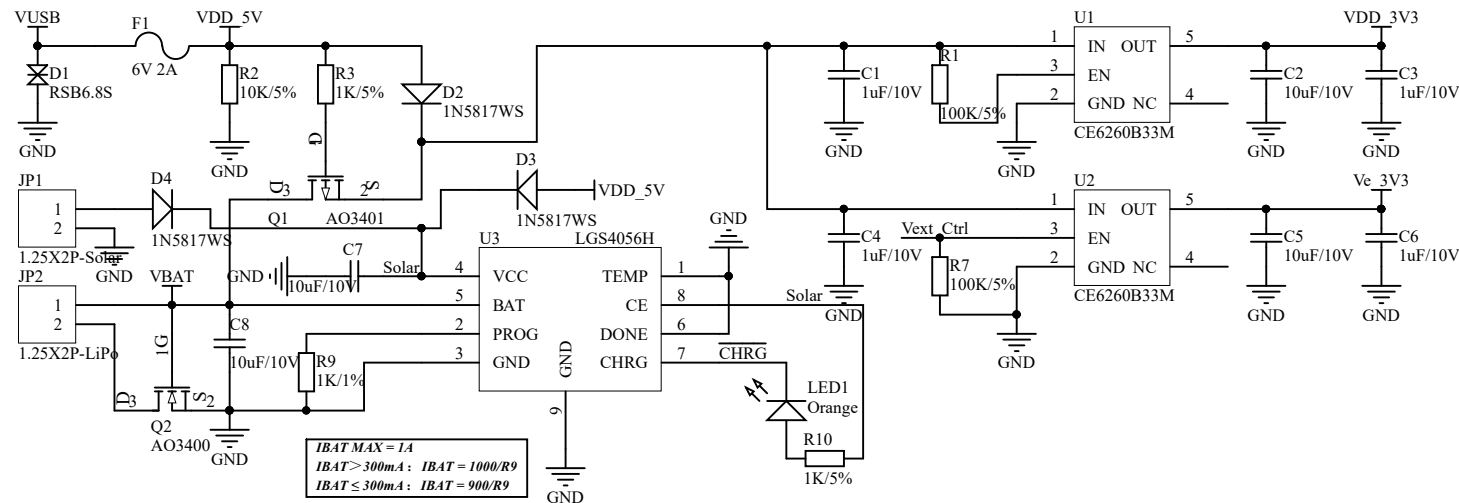


USB

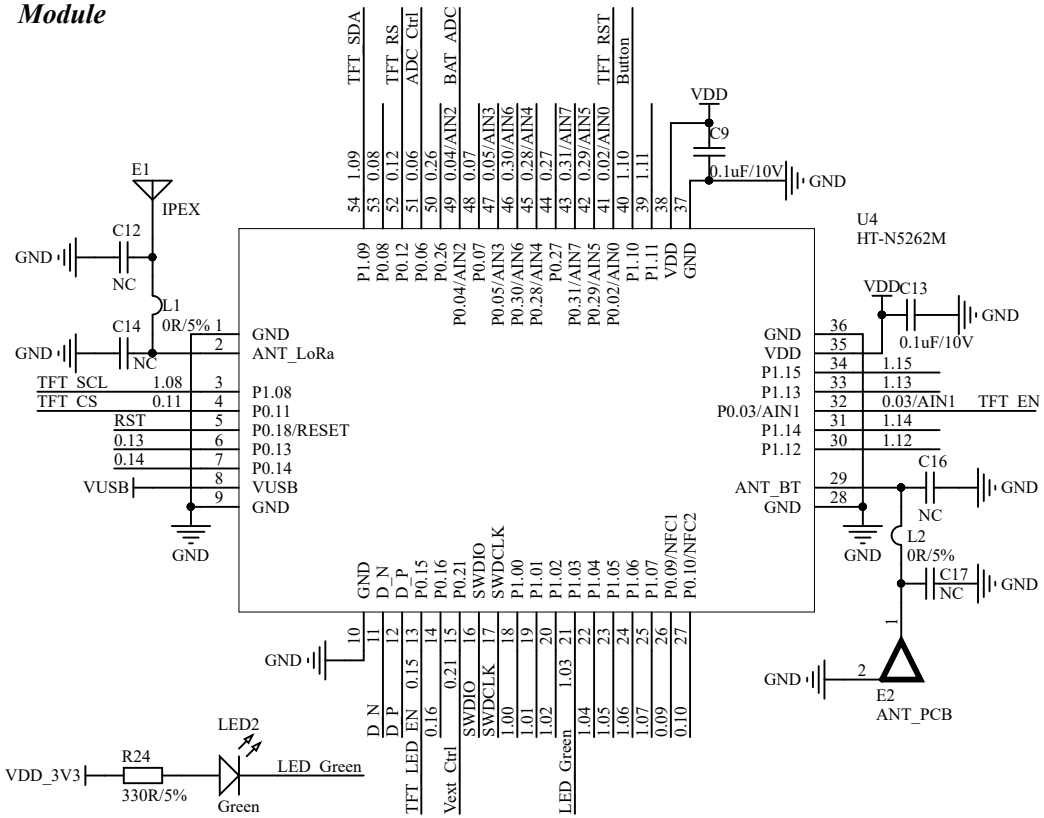


Power

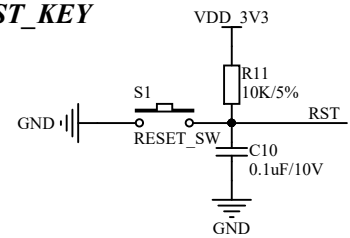


IBAT MAX = 1A
 IBAT > 300mA : IBAT = 1000/R9
 IBAT ≤ 300mA : IBAT = 900/R9

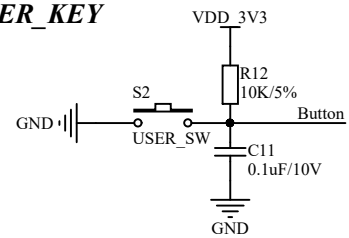
Module



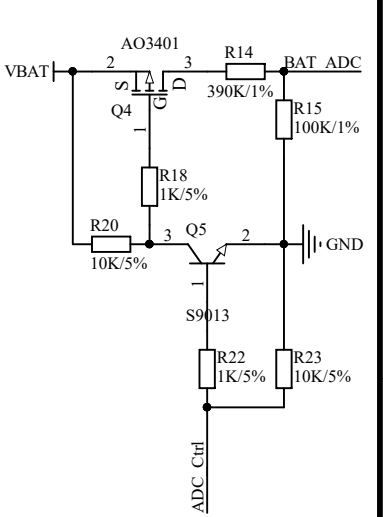
RST_KEY



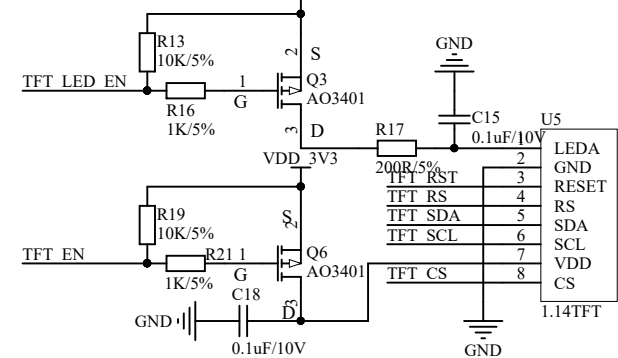
USER_KEY



Battery voltage detection



1.14-TFT



HT-N5262M Reference Design

<https://heltec.org>