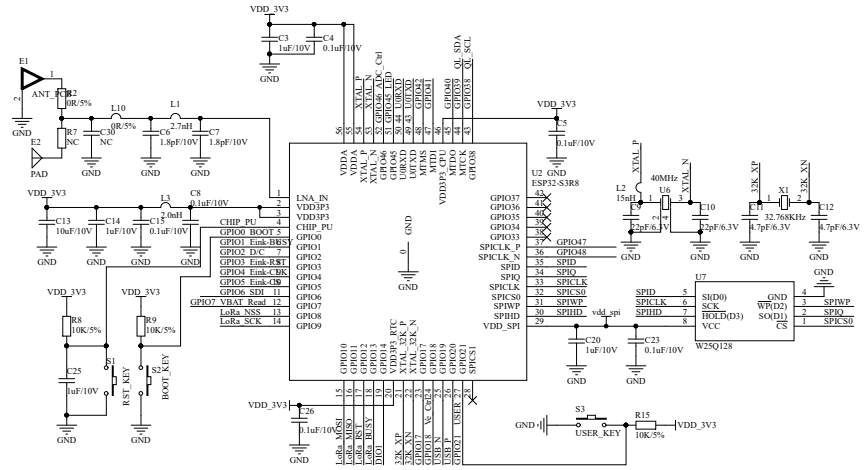
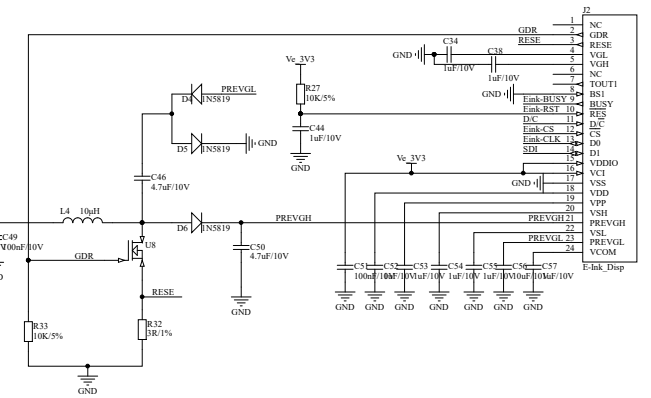


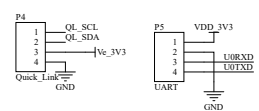
Power circuit
MAIN



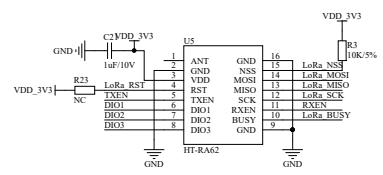
ADC
DISPLAY



QUICK LINK



RA62



Interface

