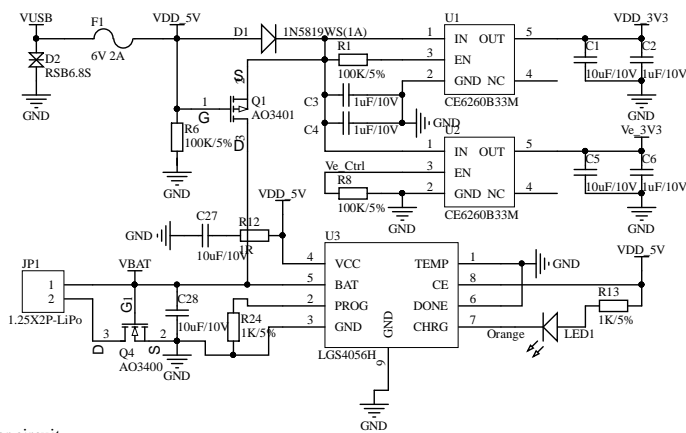
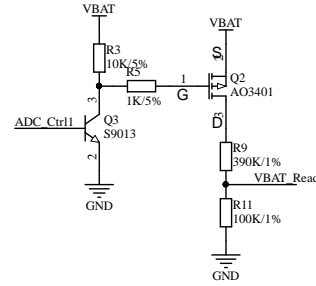


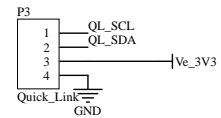
USB



Power circuit

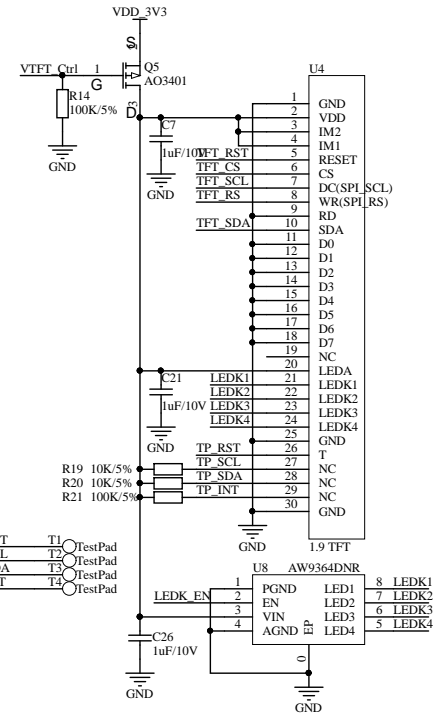


ADC

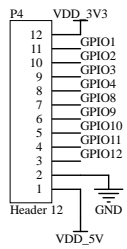
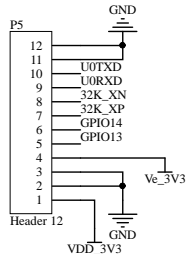


QUICK LINK

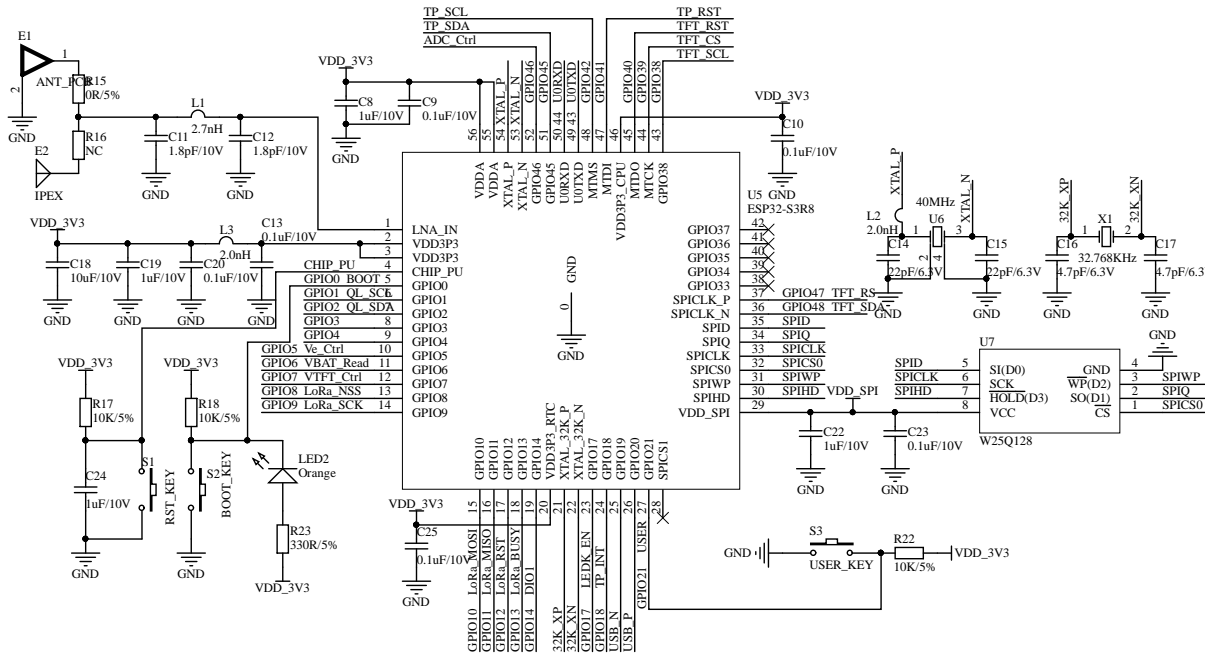
DISPLAY



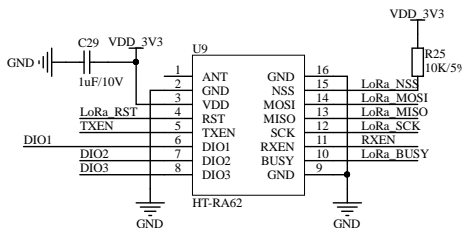
Interface



MAIN



RA62



Title		
Size	Number	Revision
A3		
Date:	2024/6/19	Sheet of
File:	D:\DreamSpark\...vmt190V0.5.SchDoc	Drawn By: