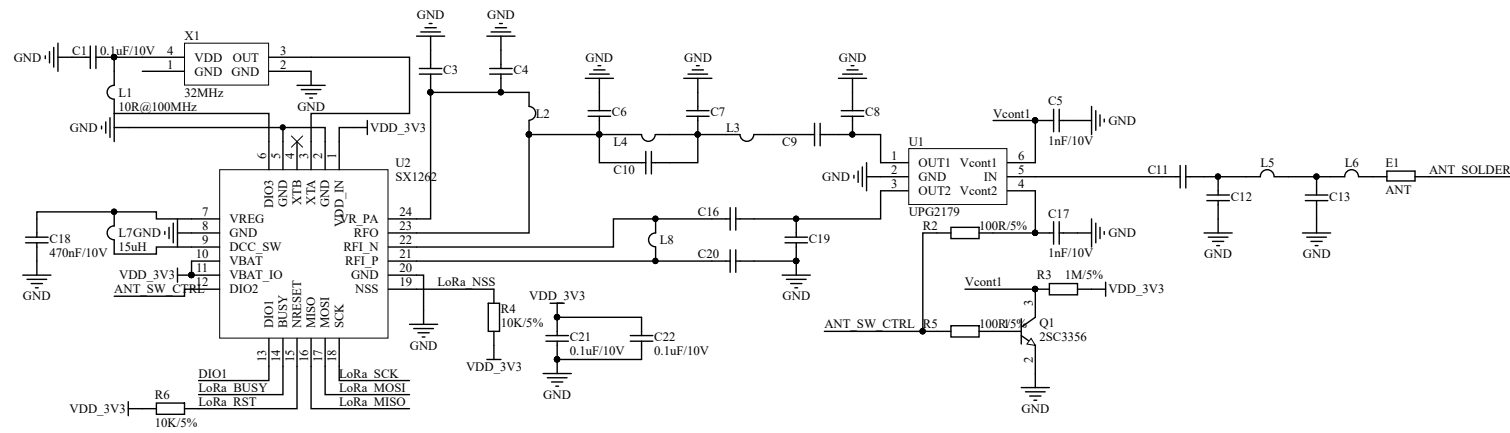
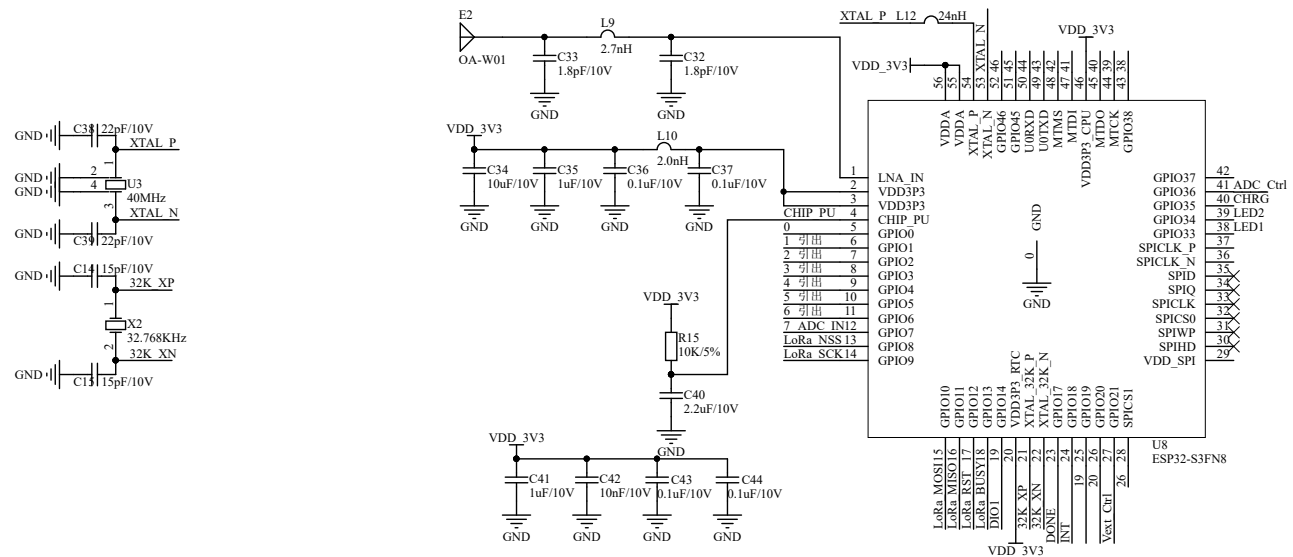


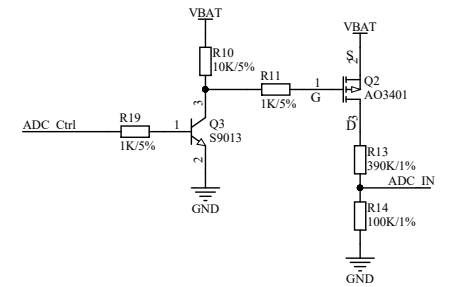
LoRa



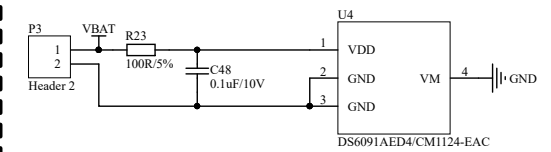
MCU



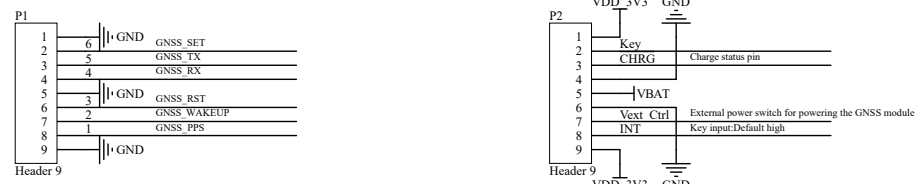
Battery power detection



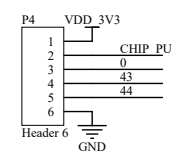
Battery protection



Interface



Debug interface



Heltec Automation Technology Co., Ltd				
Design		Name	Capsule_Main_Esp32	
Review		Application	Reference	Date 2024/5/18
Approve		Version	V 1.0	Page 1 of 1