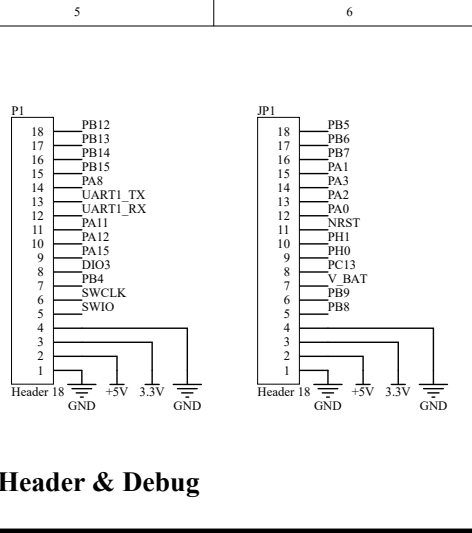
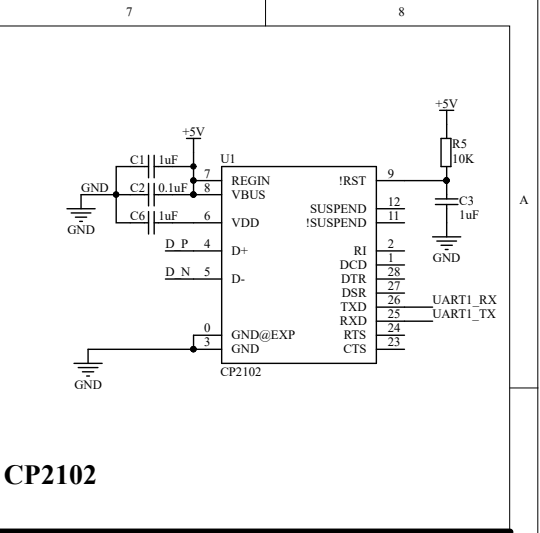


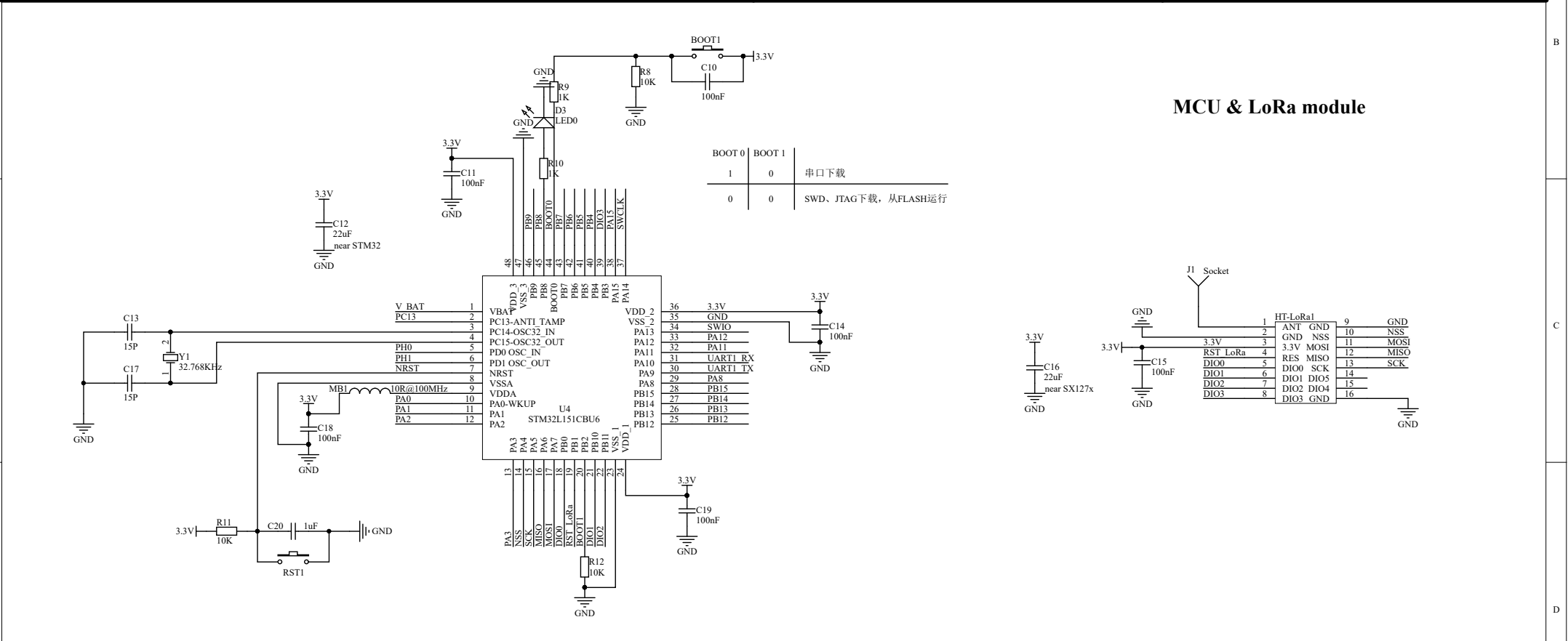
Power Supply Part



Header & Debug



CP2102



MCU & LoRa module