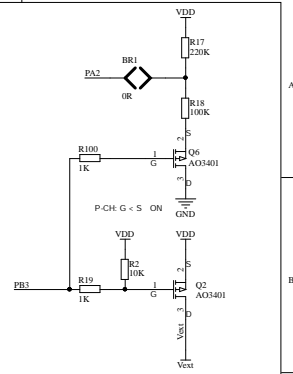
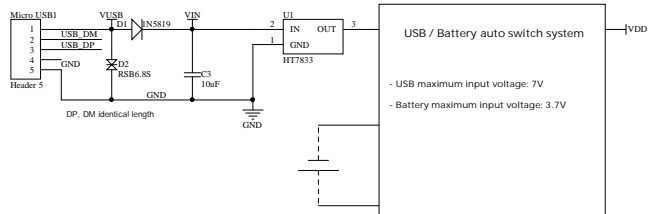
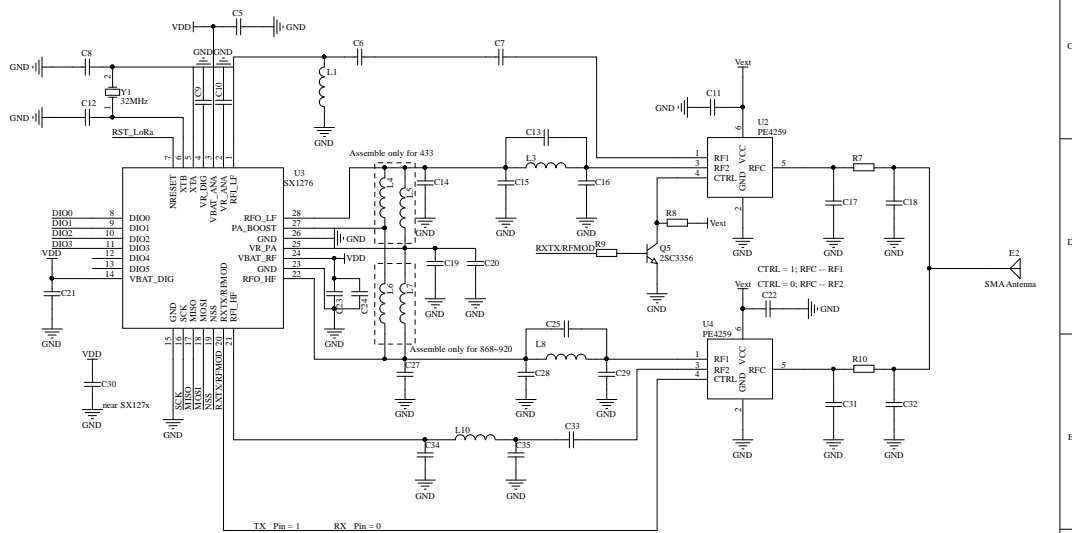


Power management system

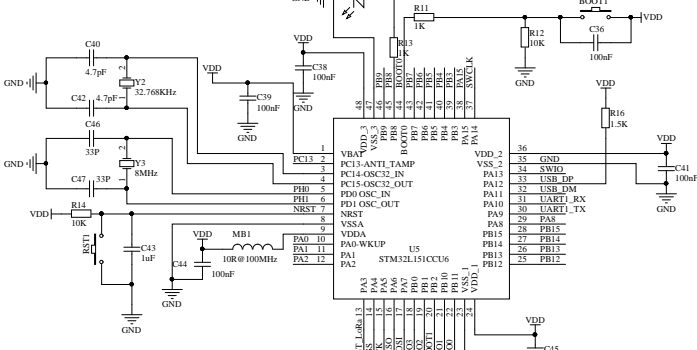


ADC read VDD voltage & Vext control

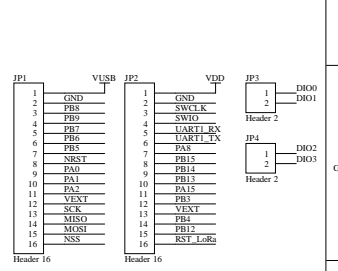


LoRa

MCU Core



Header



BOOT 0	BOOT 1	
1	0	串口下载
0	0	SWD、JTAG下载，从FLASH运行

LoRa Node 151 Block Diagram