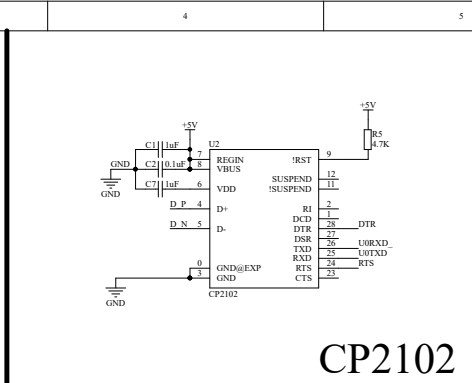
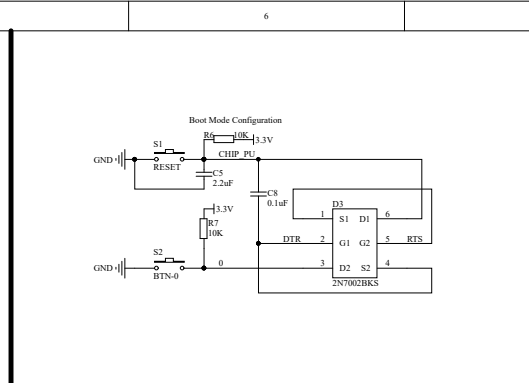


POWER



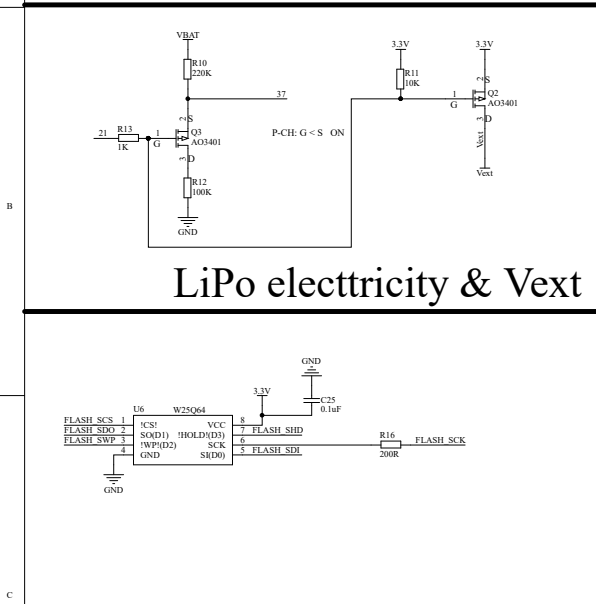
CP2102



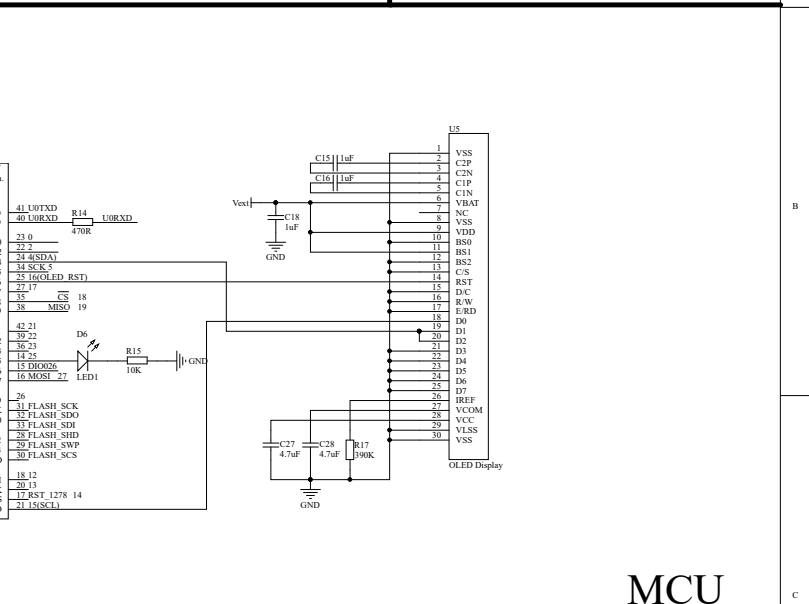
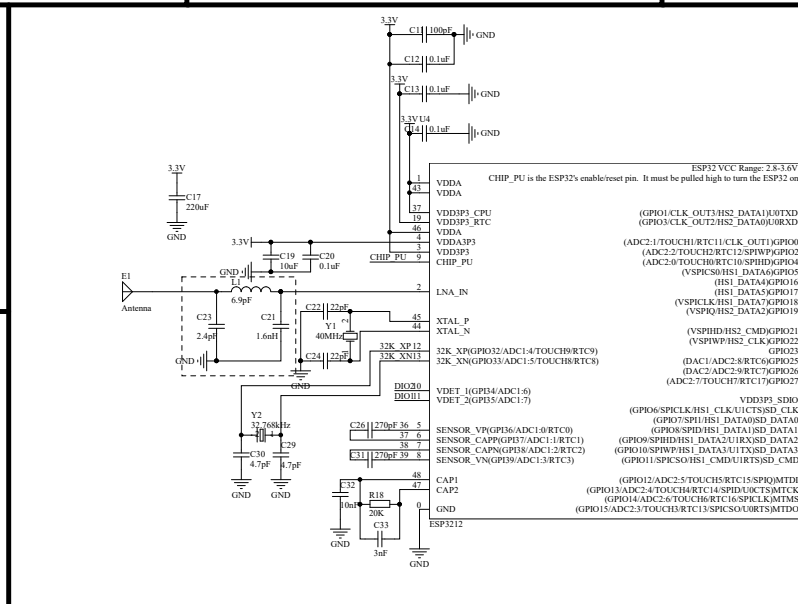
Auto-Reset

Pin	Default	Boot	Download
GPIO0	1	1	0
GPIO2	0	x	0
GPIO4	0	x	x
MTDO	1	x	x
GPIO5	1	1	x

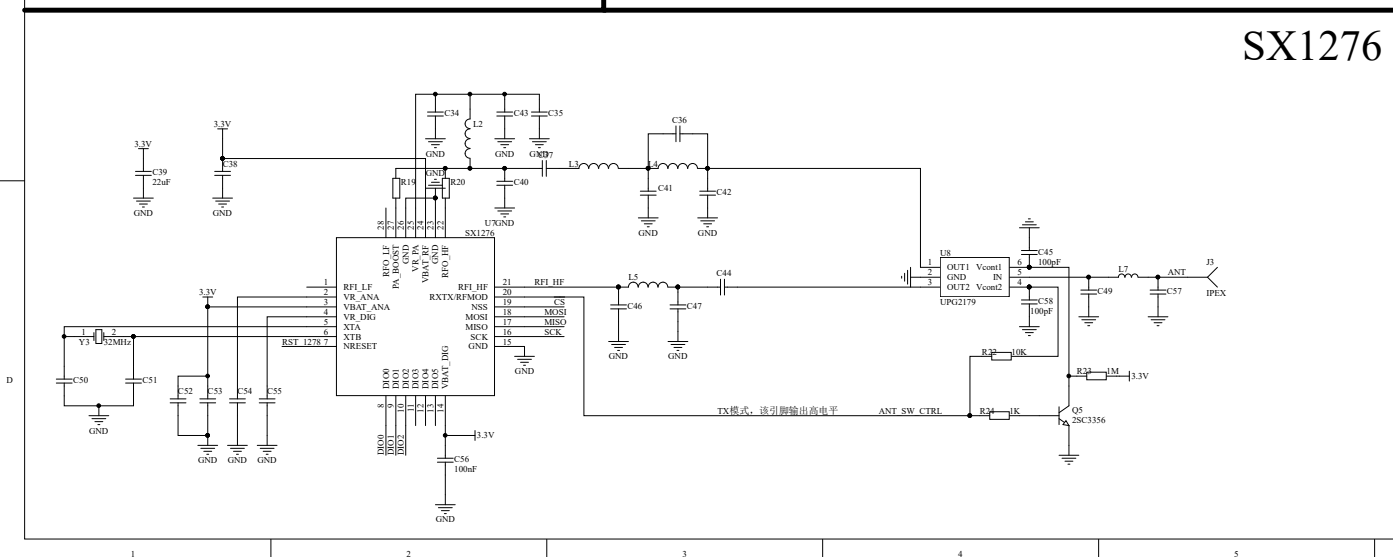
IF DTR is LOW, toggling RTS from HIGH to LOW resets to run mode.
IF RTS is HIGH, toggling DTR from LOW to HIGH resets to boot loader.



LiPo electricity & Vext



MCU Header



SX1276

