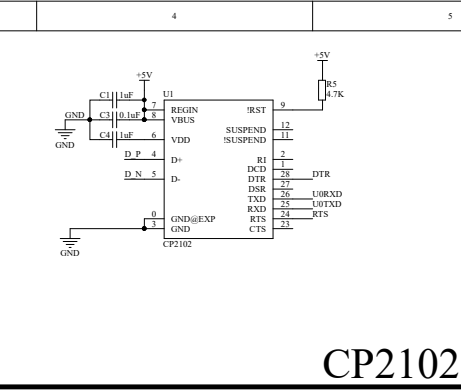
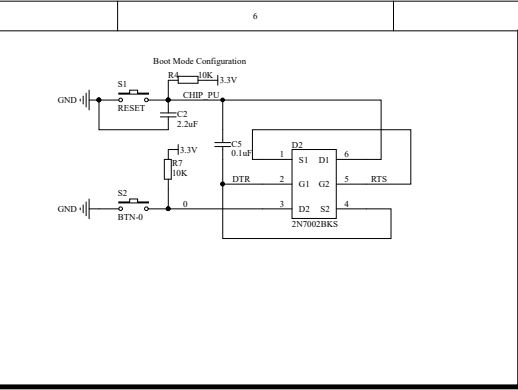


POWER



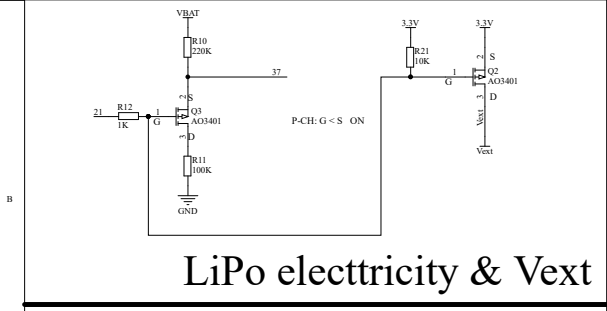
CP2102



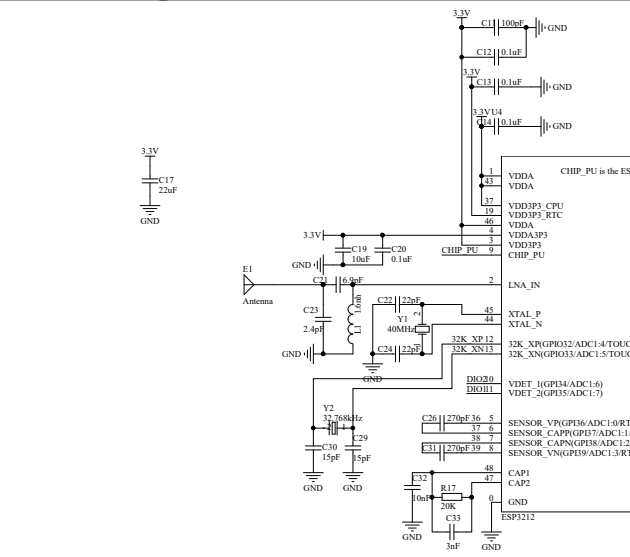
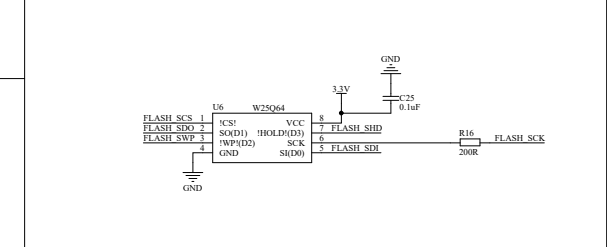
Auto-Reset

Pin	Default	Boot	Download
GPIO0	1	1	0
U0TXD	1	1	x
GPIO2	0	x	0
GPIO4	0	x	x
MTDO	1	x	x
GPIO5	1	1	x

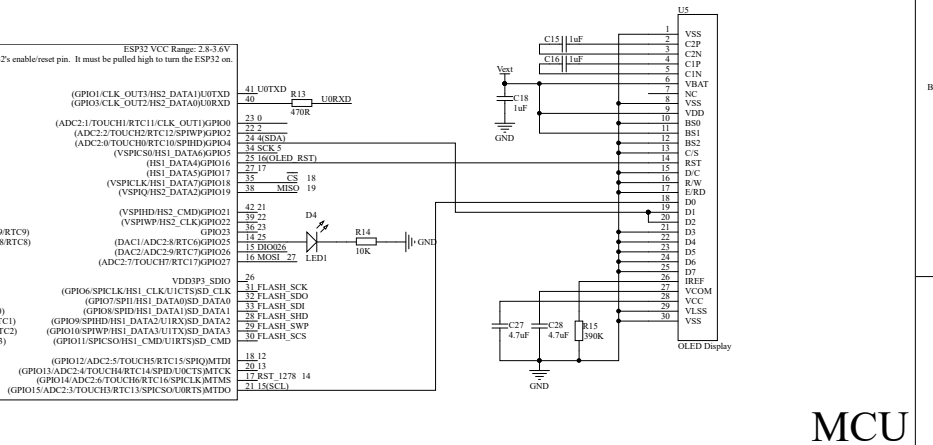
If DTR is LOW, toggling RTS from HIGH to LOW resets to run mode.
If RTS is HIGH, toggling DTR from LOW to HIGH resets to bootloader.



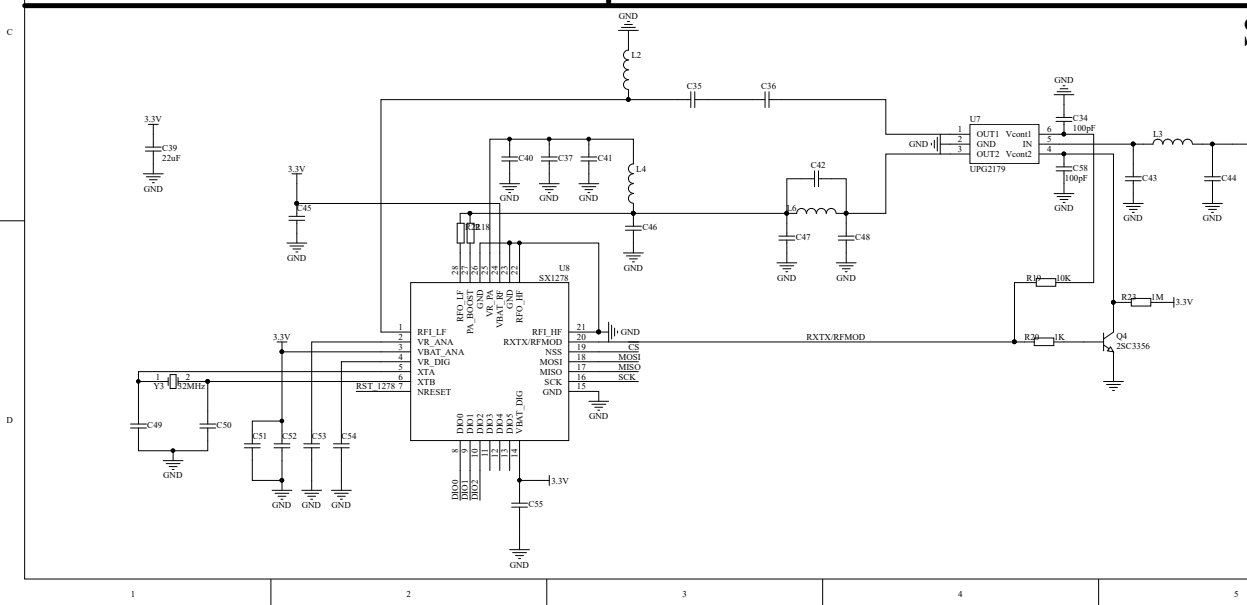
LiPo electricity & Vext



SX1276



MCU Header



WiFi LoRa_32(V2.1)

