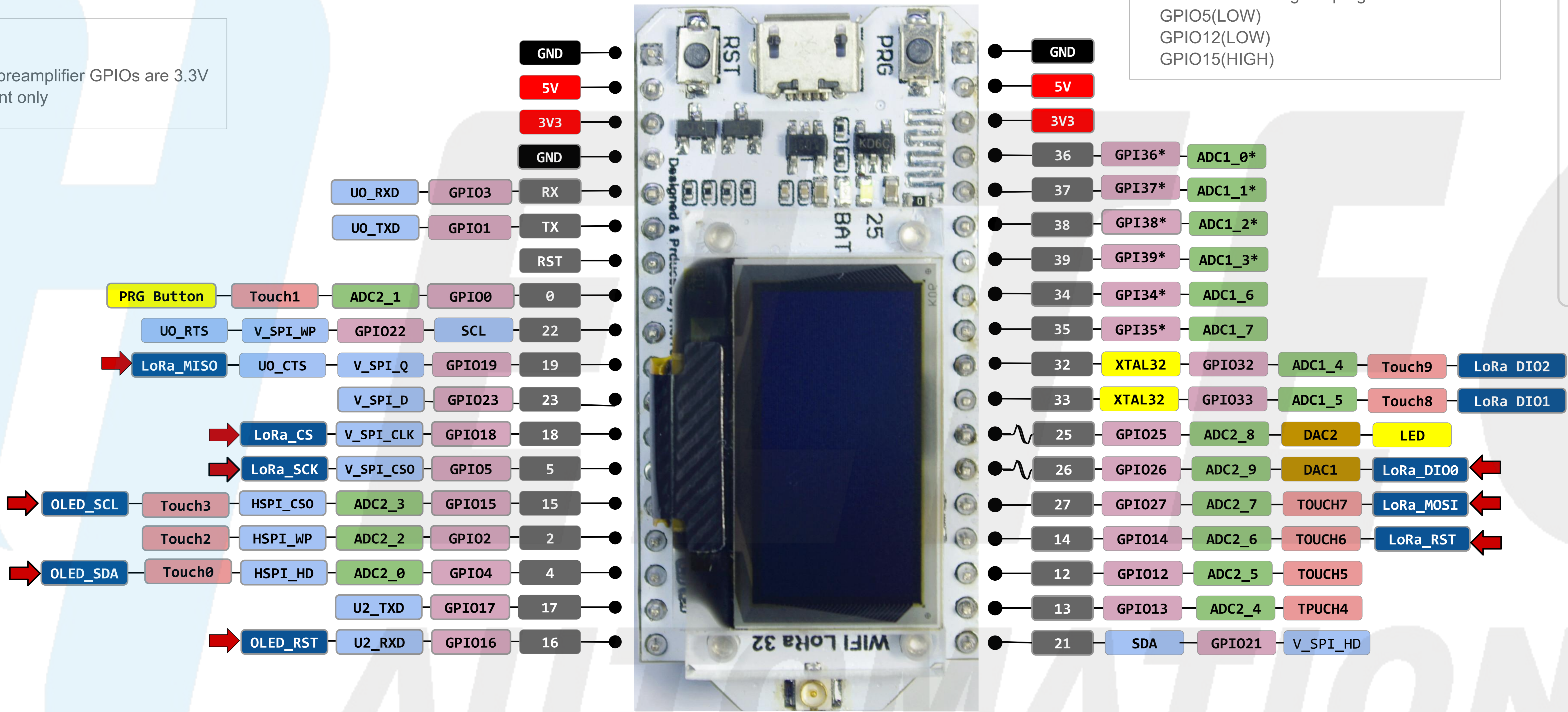


WiFi LoRa 32 Pinout Diagram

Notes:
 - ADC preamplifier GPIOs are 3.3V tolerant only

Tips:
 - These pins must be in the following states when downloading the program:
 GPIO5(Low)
 GPIO12(Low)
 GPIO15(High)

- GND
- Power
- Control
- Touch Pin
- GPIO Port pin
- Analog Pin
- DAC
- Serial SPI I2C
- Physical Pin
- On-board hardware Pin



➔ Pins with this arrow are used by on-board OLED or LoRa, they must not be used for other purpose unless you know what you are doing!