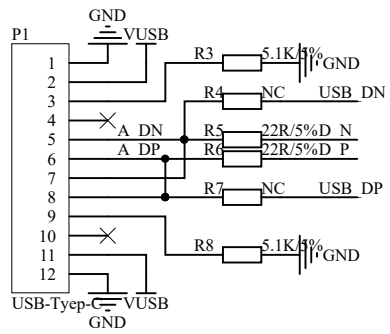
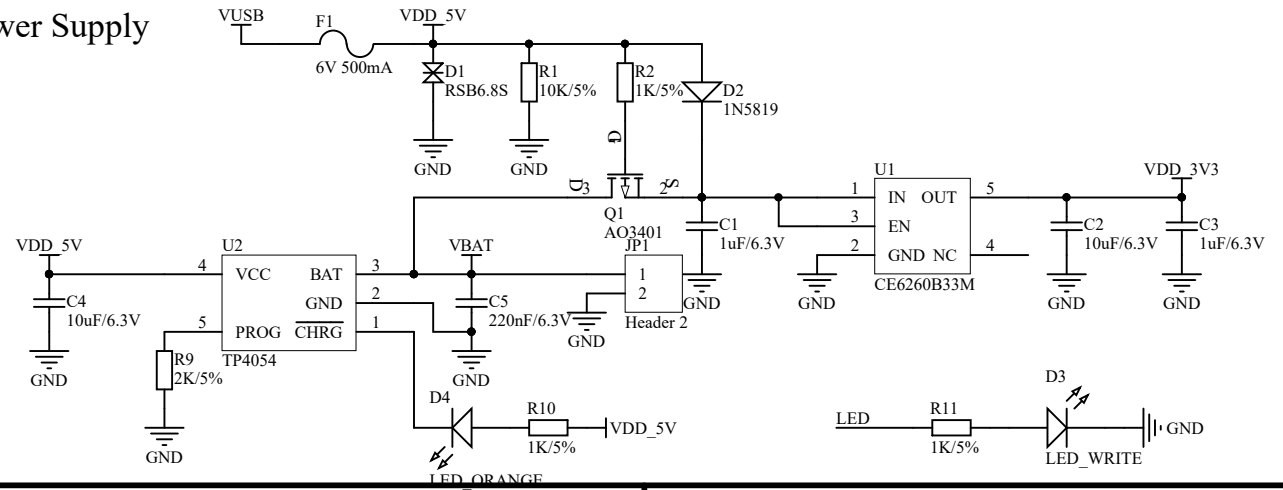


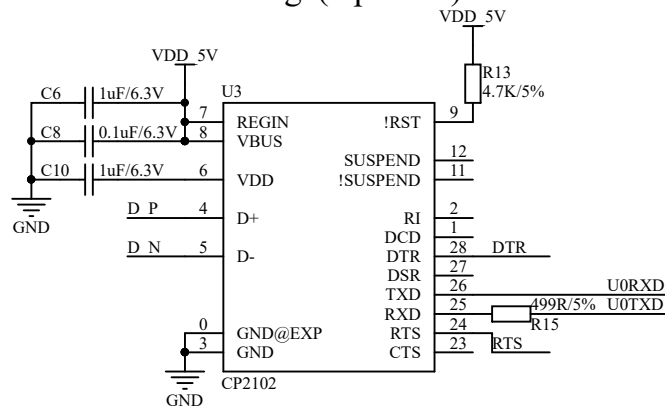
Type-C USB



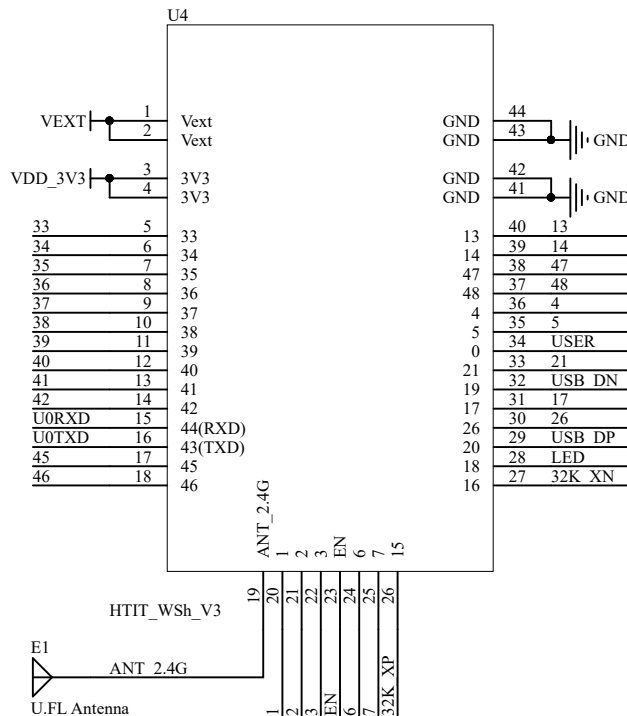
Power Supply



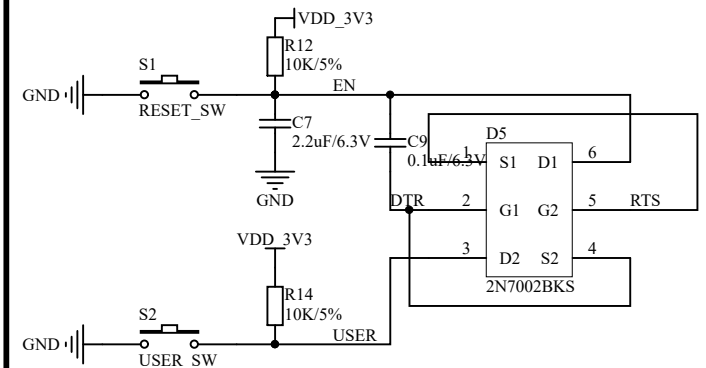
USB to UART Bridge(Optional)



HTIT_WSh_V3



Programming Logic



Auto-Reset

Boot Mode Configuration			
Pin	Default	Boot	Download
GPIO0	1	1	0
U0TXD	1	1	x
GPIO2	0	x	0
GPIO4	0	x	x
MTDO	1	x	x
GPIO5	1	1	x

If U0TXD, GPIO2, GPIO5 are floating, GPIO0 determines boot mode

If DTR is LOW, toggling RTS from HIGH to LOW resets to run mode.
If RTS is HIGH, toggling DTR from LOW to HIGH resets to bootloader.

HTIT-Wsh Reference Design

<https://heltec.org>