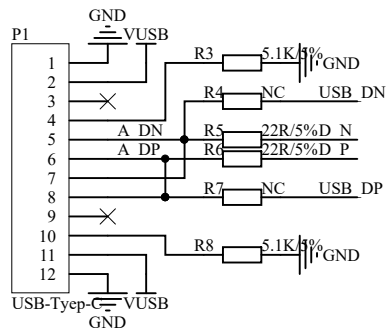
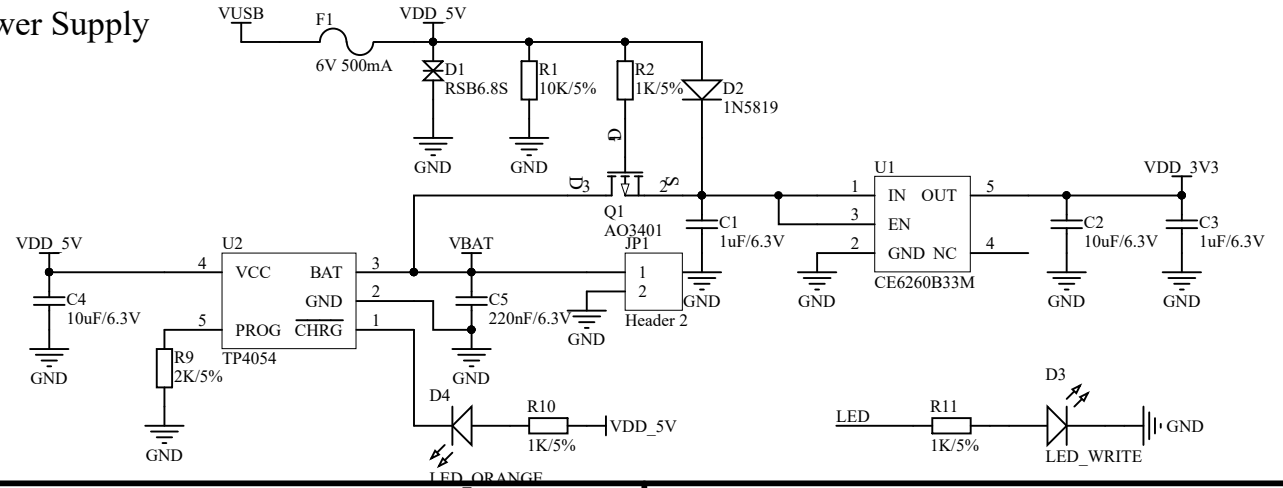


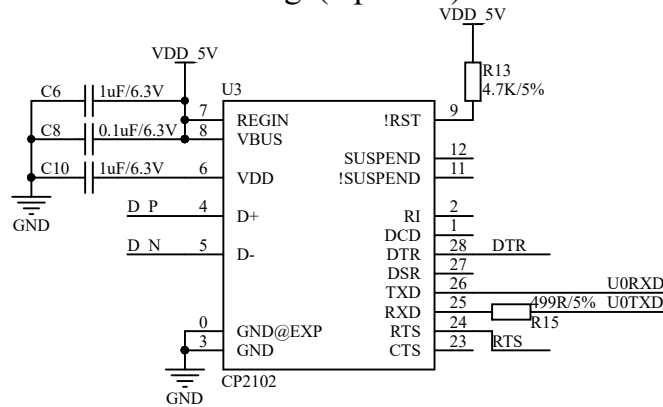
## Type-C USB



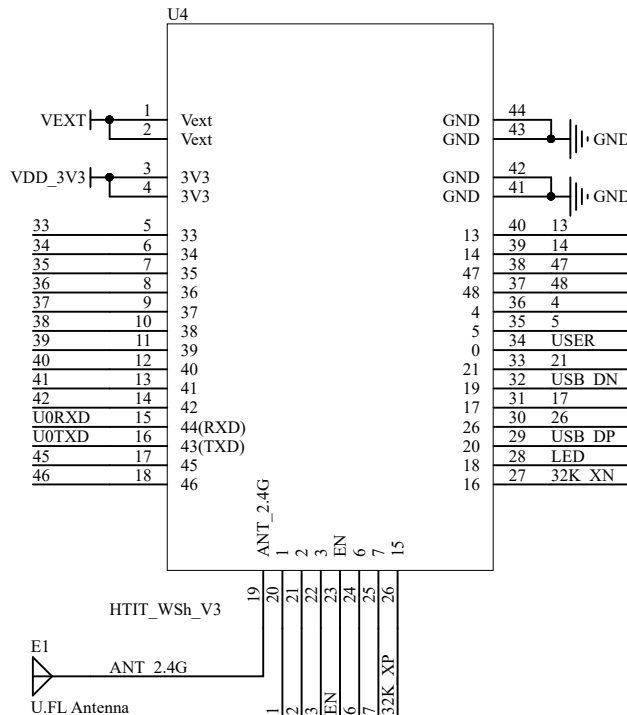
## Power Supply



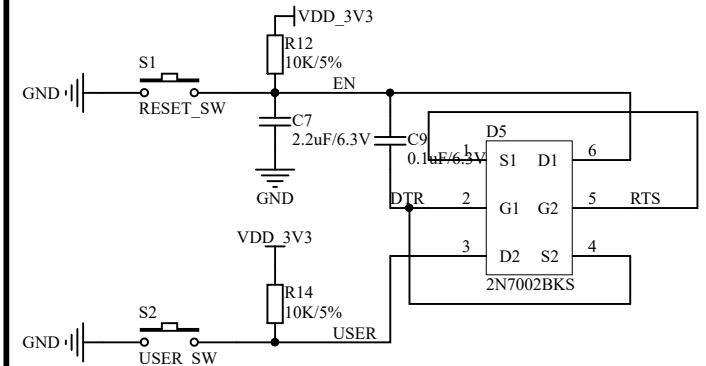
## USB to UART Bridge(Optional)



## HTIT\_WSh\_V3



## Programming Logic



Auto-Reset  
Boot Mode Configuration

Pin	Default	Boot	Download
GPIO0	1	1	0
U0TXD	1	1	x
GPIO2	0	x	0
GPIO4	0	x	x
MTDO	1	x	x
GPIO5	1	1	x

If U0TXD, GPIO2, GPIO5 are floating, GPIO0 determines boot mode

If DTR is LOW, toggling RTS from HIGH to LOW resets to run mode.  
If RTS is HIGH, toggling DTR from LOW to HIGH resets to bootloader.

## HTIT-Wsh Reference Design

<https://heltec.org>